

**FOSHAN SHINING LIGHTING TECHNOLOGY CO.,LTD**

ADD: D factory, #10, Baihe Road, Nanhai Danzao Eco-Industrial Park Zip: 528216 W: <http://www.gledse.com/>

T: 86-757-86780855 F: 86-757-86765036 M: +86--18927767560 M: [sales@gledse.com](mailto:sales@gledse.com)

---

# PRODUCT SPECIFICATION



## LED Magnetic Track Light



### Customer Approval

Tested by	Checked by	Approved by

### SHINING Approval

Tested by	Checked by	Approved by

## FOSHAN SHINING LIGHTING TECHNOLOGY CO.,LTD

ADD: D factory, #10, Baihe Road, Nanhai Danzao Eco-Industrial Park Zip: 528216 W: <http://www.gledse.com/>  
T: 86-757-86780855 F: 86-757-86765036 M: +86--18927767560 M: [sales@gledse.com](mailto:sales@gledse.com)

---

### FACTORY PROFILE



#### FOSHAN SHINING LIGHTING TECHNOLOGY CO., LTD

Foshan Shining Lighting Technology Co., LTD. was founded in 2009 and located in Foshan China. We are specializing in the manufacture of LED commercial lighting. Our company mainly produces led panel lights, led linear light and led magnetic track light. Because of we are a factory, we provide products for wholesale and lighting project services.

In order to provide clients with more professional services, our factory has set up light frame hardware workshop, which can provide different size and OEM serve to achieve client's request. Also, to ensure delivery time for clients, we constantly update automated equipment for manufacture .

To go one step further than assembling standard light fixtures, Shining Lighting developing new design based on our market research and feedback from some of our best clients and representatives. According to the client's project design, we have professional seller, who can meet the environment and human senses to provide professional suggestion to client.

On the premise of our professional service and good quality, we have been affirmed by our client from different countries. This makes us more motivated to move forward.

# FOSHAN SHINING LIGHTING TECHNOLOGY CO.,LTD

ADD: D factory, #10, Baihe Road, Nanhai Danzao Eco-Industrial Park Zip: 528216 W: <http://www.gledse.com/>  
T: 86-757-86780855 F: 86-757-86765036 M: +86--18927767560 M: [sales@gledse.com](mailto:sales@gledse.com)

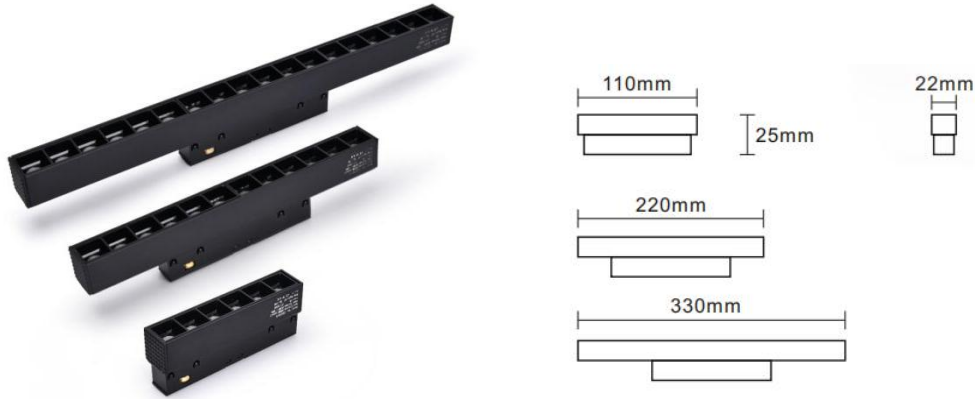
## PRODUCT PICTURES



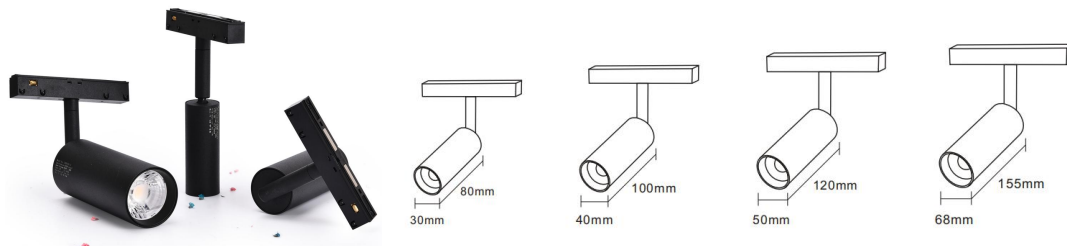
# FOSHAN SHINING LIGHTING TECHNOLOGY CO.,LTD

ADD: D factory, #10, Baihe Road, Nanhai Danzao Eco-Industrial Park Zip: 528216 W: <http://www.gledse.com/>  
 T: 86-757-86780855 F: 86-757-86765036 M: +86--18927767560 M: [sales@gledse.com](mailto:sales@gledse.com)

## PRODUCT SPECIFICATION



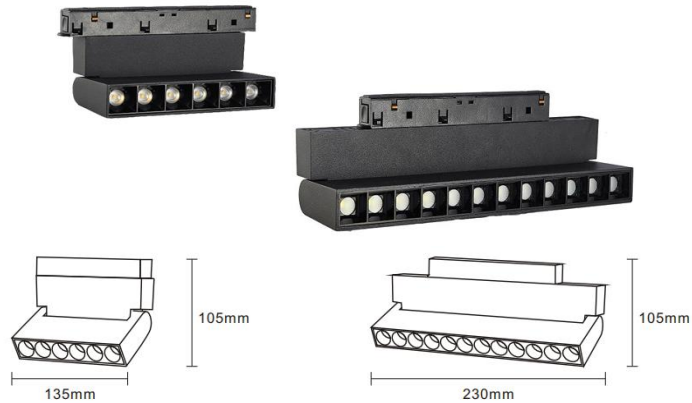
Quick Details			
Model No.	Led magnetic grille light	Input Vol.	AC180-265V DC48V
Product size	L110*W22*H25mm L220*W22*H25mm L330*W22*H25mm	Power	6W 12W 18W
RA	RA ≥ 90	CCT	3000K /4000K /6000K
IP Rating	IP20	Warranty (Years)	3 Years
Dimming serve	DALI dimming/0-10V dimming/Bluetooth/Tuya dimming/Zigbee dimming		



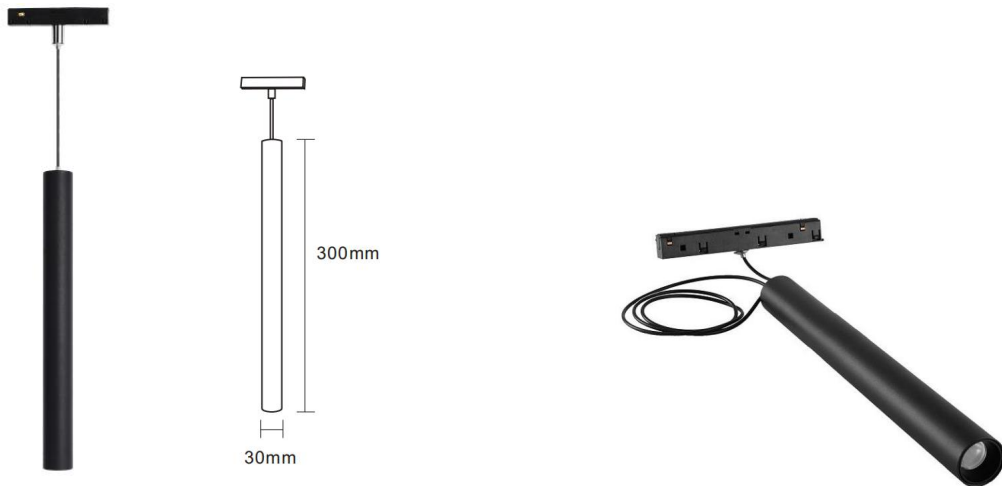
Quick Details			
Model No.	Led magnetic track light	Input Vol.	AC180-265V DC48V
Product size	Φ30*L80mm Φ40*L100mm Φ50*L120mm Φ68*L155mm	Power	6W 10W 15W 30W
RA	RA ≥ 90	CCT	3000K /4000K /6000K
IP Rating	IP20	Warranty (Years)	3 Years
Dimming serve	DALI dimming/0-10V dimming/Bluetooth/Tuya dimming/Zigbee dimming		

# FOSHAN SHINING LIGHTING TECHNOLOGY CO.,LTD

ADD: D factory, #10, Baihe Road, Nanhai Danzao Eco-Industrial Park Zip: 528216 W: <http://www.gledse.com/>  
 T: 86-757-86780855 F: 86-757-86765036 M: +86--18927767560 M: [sales@gledse.com](mailto:sales@gledse.com)



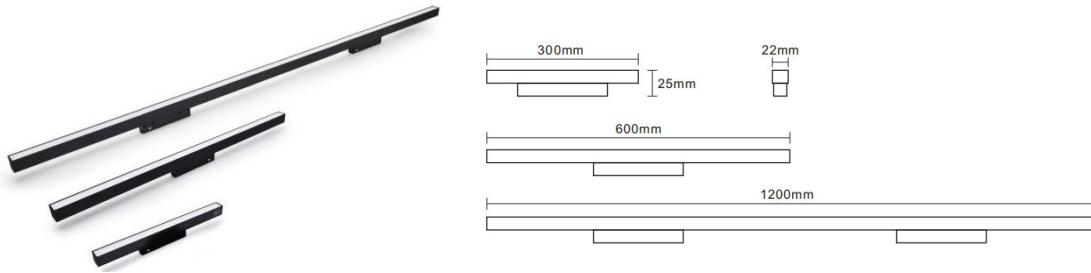
Quick Details			
Model No.	Led magnetic folding light	Input Vol.	AC180-265V DC48V
Product size	L135*W22*H105mm L230*W22*H105mm	Power	6W 12W
RA	RA ≥ 90	CCT	3000K /4000K /6000K
IP Rating	IP20	Warranty (Years)	3 Years
Dimming serve	DALI dimming/0-10V dimming/Bluetooth/Tuya dimming/Zigbee dimming		



Quick Details			
Model No.	Led magnetic hang light	Input Vol.	AC180-265V DC48V
Product size	Φ30*H300mm	Power	6W
RA	RA ≥ 90	CCT	3000K /4000K /6000K
IP Rating	IP20	Warranty (Years)	3 Years
Dimming serve	DALI dimming/0-10V dimming/Bluetooth/Tuya dimming/Zigbee dimming		

# FOSHAN SHINING LIGHTING TECHNOLOGY CO.,LTD

ADD: D factory, #10, Baihe Road, Nanhai Danzao Eco-Industrial Park Zip: 528216 W: <http://www.gledse.com/>  
 T: 86-757-86780855 F: 86-757-86765036 M: +86--18927767560 M: [sales@gledse.com](mailto:sales@gledse.com)



Quick Details			
Model No.	Led magnetic flooding light	Input Vol.	AC180-265V DC48V
Product size	L300*W22*H45mm	Power	10W
	L600*W22*H45mm		20W
	L1200*W22*H45mm		40W
RA	RA ≥ 90	CCT	3000K / 4000K / 6000K
IP Rating	IP20	Warranty (Years)	3 Years
Dimming serve	DALI dimming/0-10V dimming/Bluetooth/Tuya dimming/Zigbee dimming		



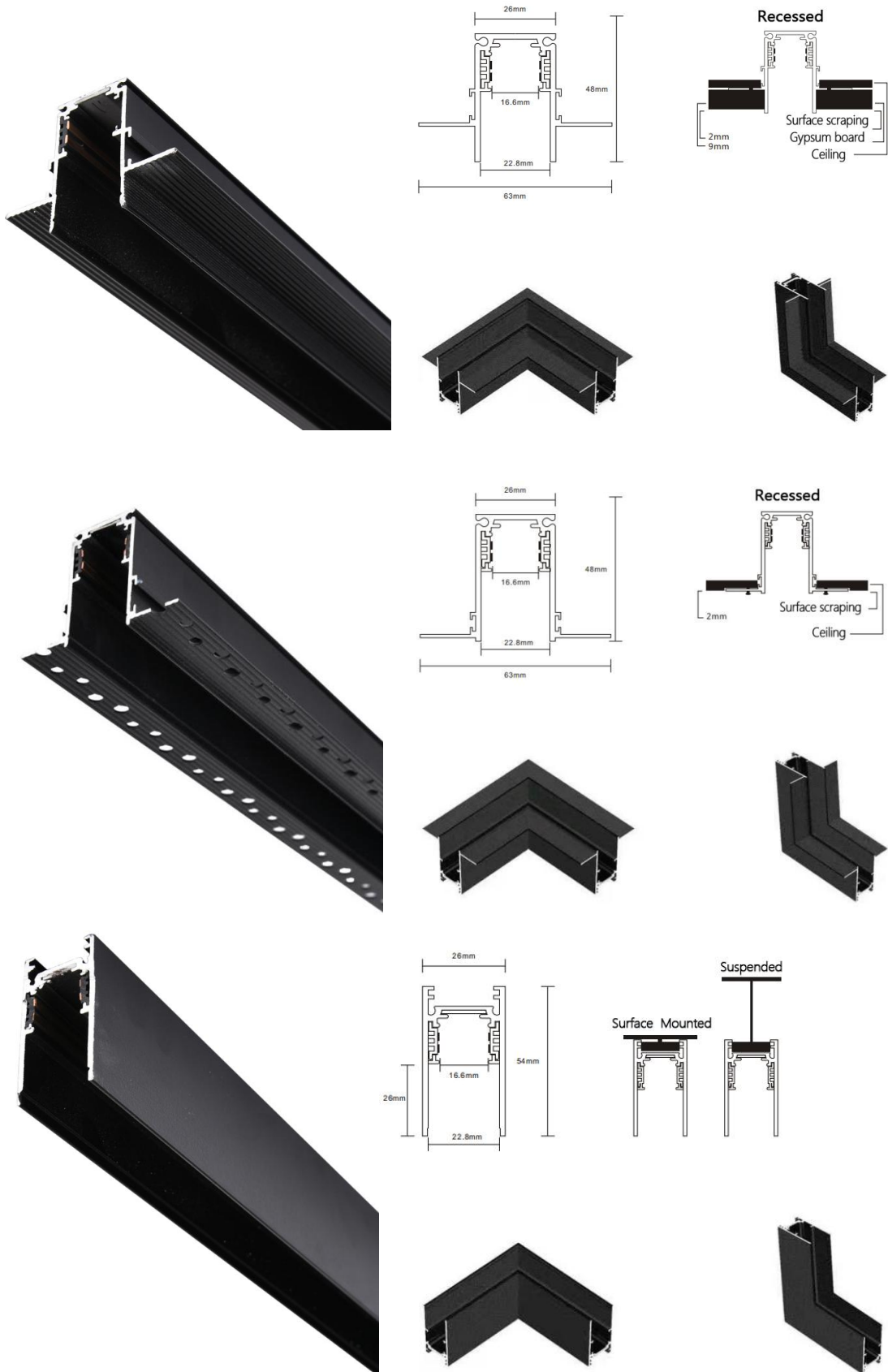
Quick Details			
Model No.	Led magnetic spotlight light	Input Vol.	AC180-265V DC48V
Product size	Φ 50*L100mm	Power	8W
	Φ 64*L132mm		15W
RA	RA ≥ 90	CCT	3000K / 4000K / 6000K
IP Rating	IP20	Warranty (Years)	3 Years
Dimming serve	DALI dimming/0-10V dimming/Bluetooth/Tuya dimming/Zigbee dimming		

# FOSHAN SHINING LIGHTING TECHNOLOGY CO.,LTD

ADD: D factory, #10, Baihe Road, Nanhai Danzao Eco-Industrial Park Zip: 528216 W: <http://www.gledse.com/>

T: 86-757-86780855 F: 86-757-86765036 M: +86--18927767560 M: [sales@gledse.com](mailto:sales@gledse.com)

## TRACK RAIL:





# FOSHAN SHINING LIGHTING TECHNOLOGY CO.,LTD

ADD: D factory, #10, Baihe Road, Nanhai Danzao Eco-Industrial Park Zip: 528216 W: <http://www.gledse.com/>

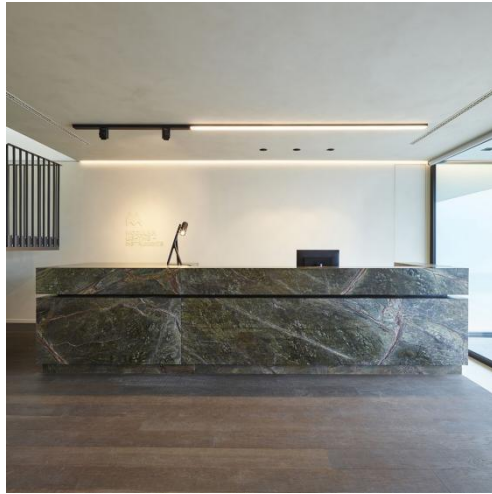
T: 86-757-86780855 F: 86-757-86765036 M: +86--18927767560 M: [sales@gledse.com](mailto:sales@gledse.com)

---

## 2. Application:



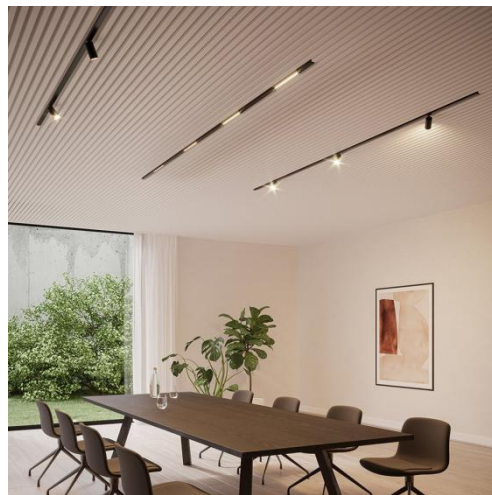
Living Room



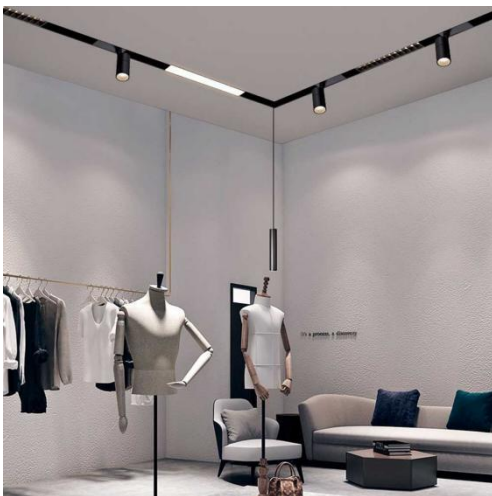
Company reception



Home office



Meeting Room



Shop



Restaurant




# FOSHAN SHINING LIGHTING TECHNOLOGY CO.,LTD

ADD: D factory, #10, Baihe Road, Nanhai Danzao Eco-Industrial Park Zip: 528216 W: <http://www.gledse.com/>

T: 86-757-86780855 F: 86-757-86765036 M: +86--18927767560 M: [sales@gledse.com](mailto:sales@gledse.com)

## 3. Installation:

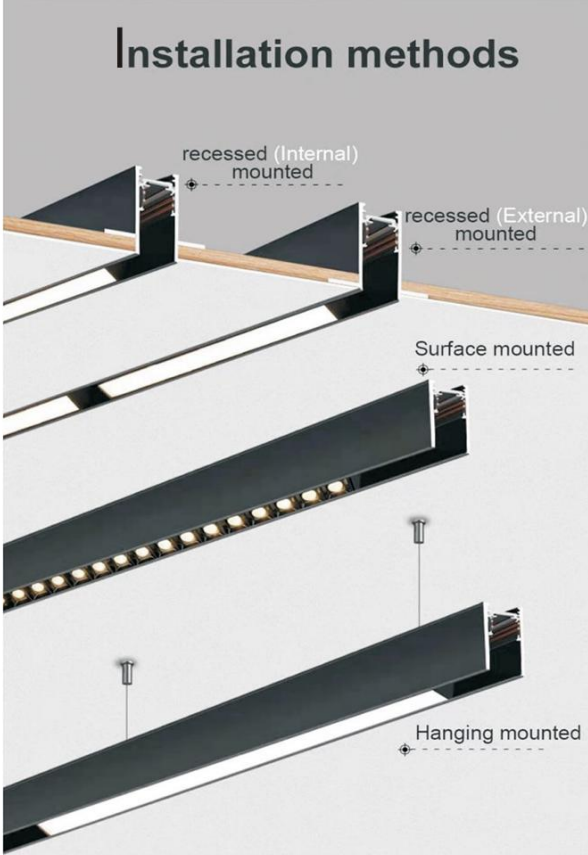
**Track rail**  
1M / 2M / 3M for your choose



recessed (External) mounted      recessed (Internal) mounted

Surface mounted      Hanging mounted

**Installation methods**




recessed (Internal) mounted      recessed (External) mounted

Surface mounted

Hanging mounted

**copper wires stable voltage**

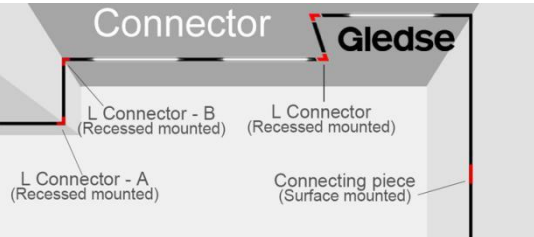


copper wires

Elevator special power cord

## 4. Accessory


**Connector** **Gledse**



L Connector - B (Recessed mounted)      L Connector (Recessed mounted)

L Connector - A (Recessed mounted)      Connecting piece (Surface mounted)

**CONNECT DETAILS**



L Connector (Surface mounted)      L Connector (Recessed mounted)      Connecting piece (Surface mounted)

L Connector - B (Surface mounted)      L Connector - A (Recessed mounted)      L Connector - B (Recessed mounted)

## FOSHAN SHINING LIGHTING TECHNOLOGY CO.,LTD

ADD: D factory, #10, Baihe Road, Nanhai Danzao Eco-Industrial Park Zip: 528216 W: <http://www.gledse.com/>  
T: 86-757-86780855 F: 86-757-86765036 M: +86--18927767560 M: [sales@gledse.com](mailto:sales@gledse.com)

### 5. Feature:

·We can provide different series light

We have Folding light/Track light/Ceiling light/Flooding light/Grille light series for your choose



·Safety is the most important.

Our magnetic track rail use DC48V, if you accidentally touch it, you won't get injured by electric shock

·Dimming system serve

Our factory provide DALI/1-10V/Bluetooth/Zigbee and Tuya system for dimming



·Economical and convenient

To save the cost for your business, we provide 3 CCT version light for you.

## FOSHAN SHINING LIGHTING TECHNOLOGY CO.,LTD

ADD: D factory, #10, Baihe Road, Nanhai Danzao Eco-Industrial Park Zip: 528216 W: <http://www.gledse.com/>

T: 86-757-86780855 F: 86-757-86765036 M: +86--18927767560 M: [sales@gledse.com](mailto:sales@gledse.com)

---

### 6.Packaging information:



Remark: The above packing information is only for reference.

The platform or the plywood frame will be additional charged as per the package.

**For more detail information, please contact our Sales Representative.**

**Thanks for your attention.**